

# Rumo Pendant Lamp

Rumo Pendant Light is a circular pendant defined by its ribbed surface and low-profile form. The compact geometry creates a balanced and grounded presence, making it suitable for interiors where proportion and visual calm are essential.

The ribbed outer surface introduces a subtle rhythm across the form, adding depth without increasing visual weight. This controlled texture allows the object to remain quiet yet distinctive within the space.



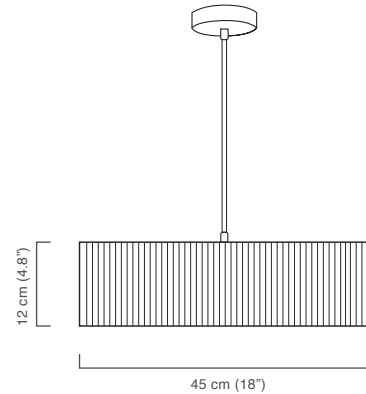
## Product Details

<b>Product Type</b>	Pendant lamp, lighting
<b>Environment</b>	Indoor
<b>Designer</b>	Sinan Kaya, 2026
<b>Country of Origin</b>	Turkey
<b>Shade Material</b>	Polylactic Acid (PLA)
<b>Diffuser Material</b>	Acrylic diffuser with brass details
<b>Weight</b>	Medium : ~ 1000 grams / 2 lbs
<b>Light Source</b>	3 pieces of A19 LED bulbs up to 8 W. 3000K is recommended for creating a warm, cozy atmosphere. The use of halogen or incandescent bulbs are prohibited due to overheating.
<b>Bulb Base</b>	E27, E26
<b>Cord</b>	~ 200 cm black plastic cable (custom length is available upon request)
<b>Mounting</b>	Brass finished metal ceiling plate (Diameter: 10 cm Height: 2 cm)
<b>Voltage</b>	220-250V / 110-120V
<b>Maintenance</b>	Wipe dust regularly with a slightly damp cloth
<b>Certificates</b>	CE, RoHS
<b>Customization</b>	Additional shade colors and different sizes are available upon request, please consult.

## Color Options

- Bone
- Black
- Olive Green
- Cherry

## Dimensions



Soli Workshop Aydınlatma Ltd. Şti.  
Istanbul / Türkiye

[www.soliworkshop.com](http://www.soliworkshop.com)  
[info@soliworkshop.com](mailto:info@soliworkshop.com)

**soli**workshop  
contemporary handicrafts